



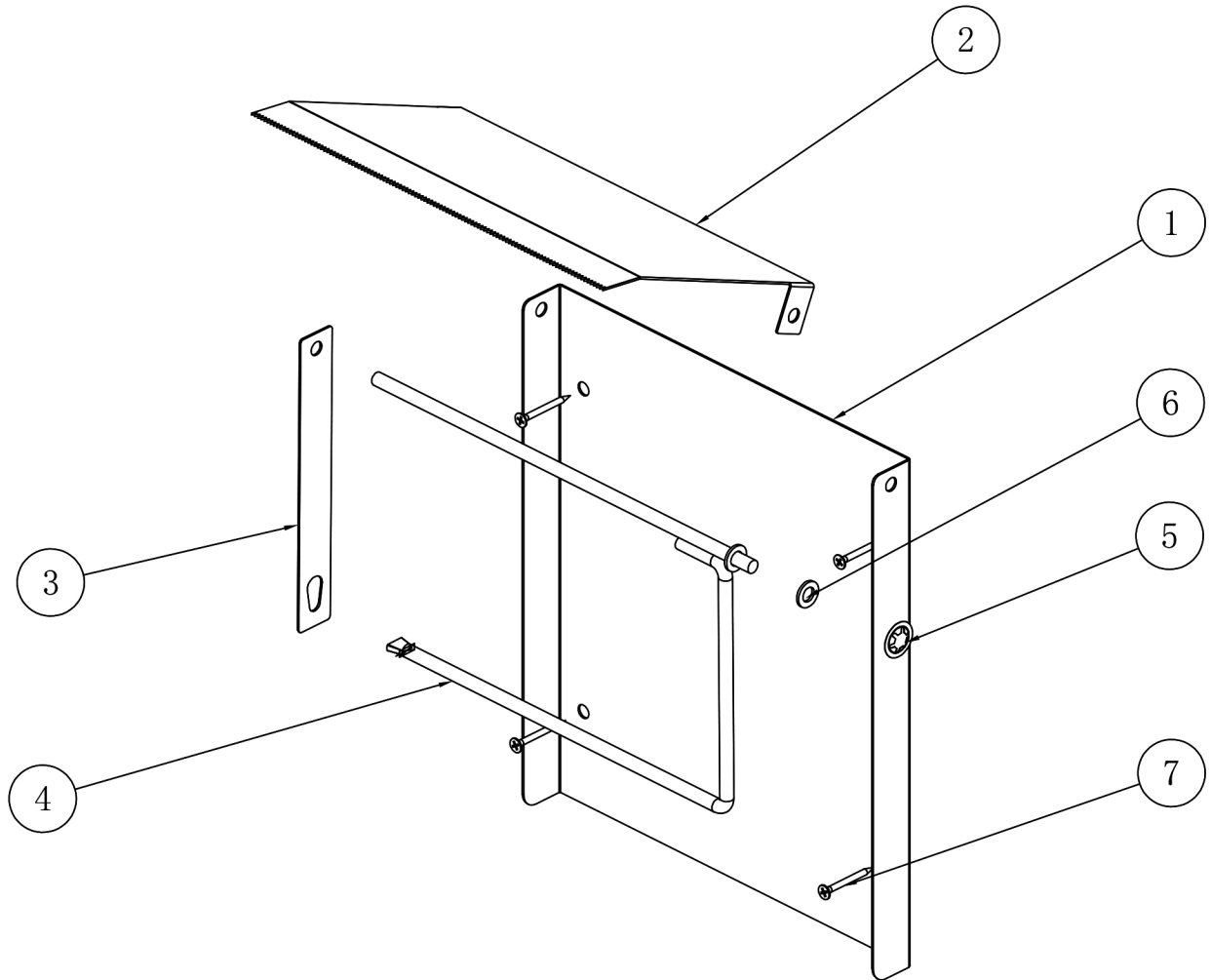
Model:

0960643

Product Type:

Roll Holder &Dispenser

PARTS BREAKDOWN



PARTS LIST

PART NO.	Description	Q'ty	PART NO.	Description	Q'ty
1	Back Board	1	5	Wave Washer $\Phi 8 \times 18$	1
2	Top Board	1	6	Washer $\Phi 8$	1
3	Side Guard	1	7	Expansion Bolt M8x60	4
4	Roll Holder	1	8		